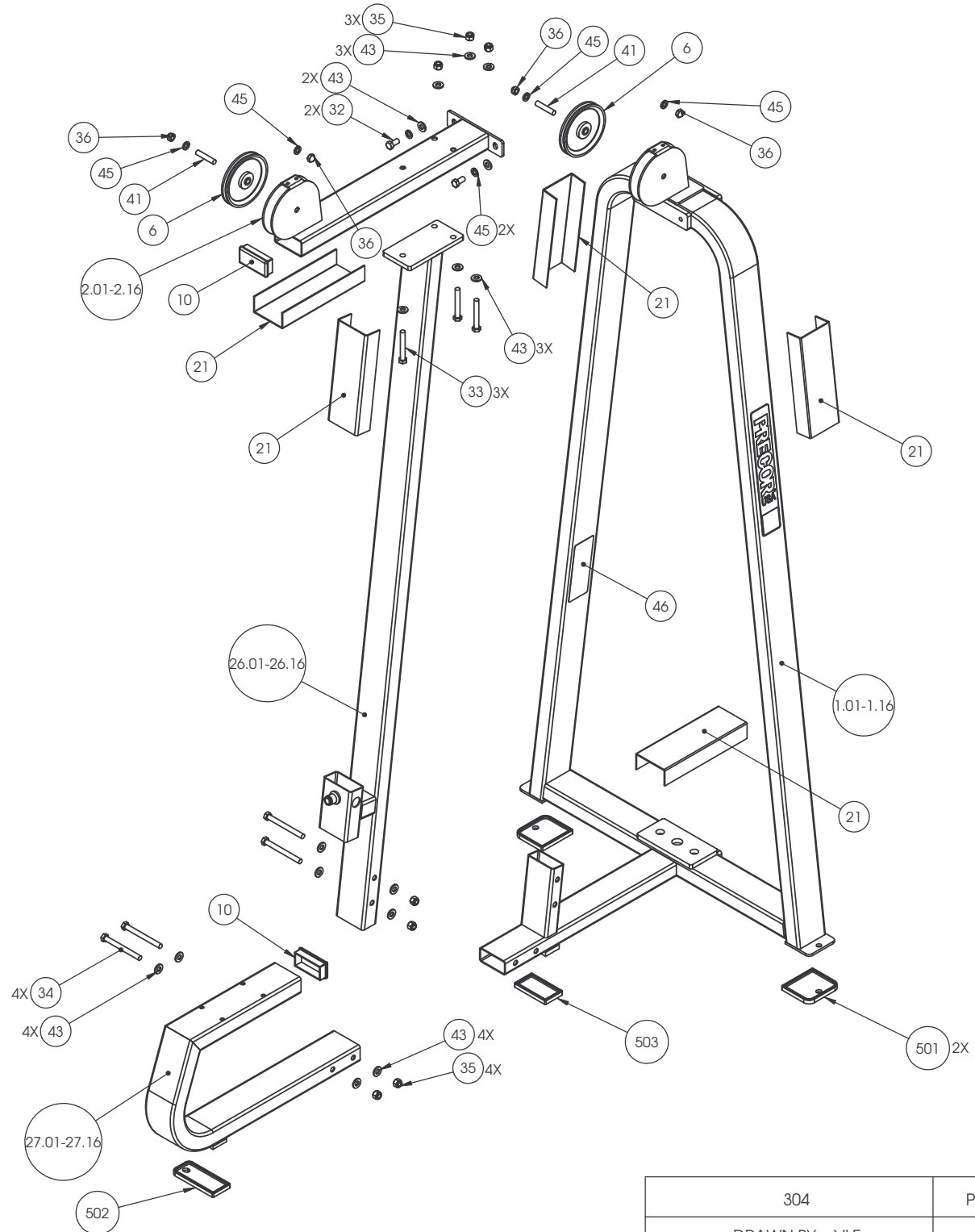
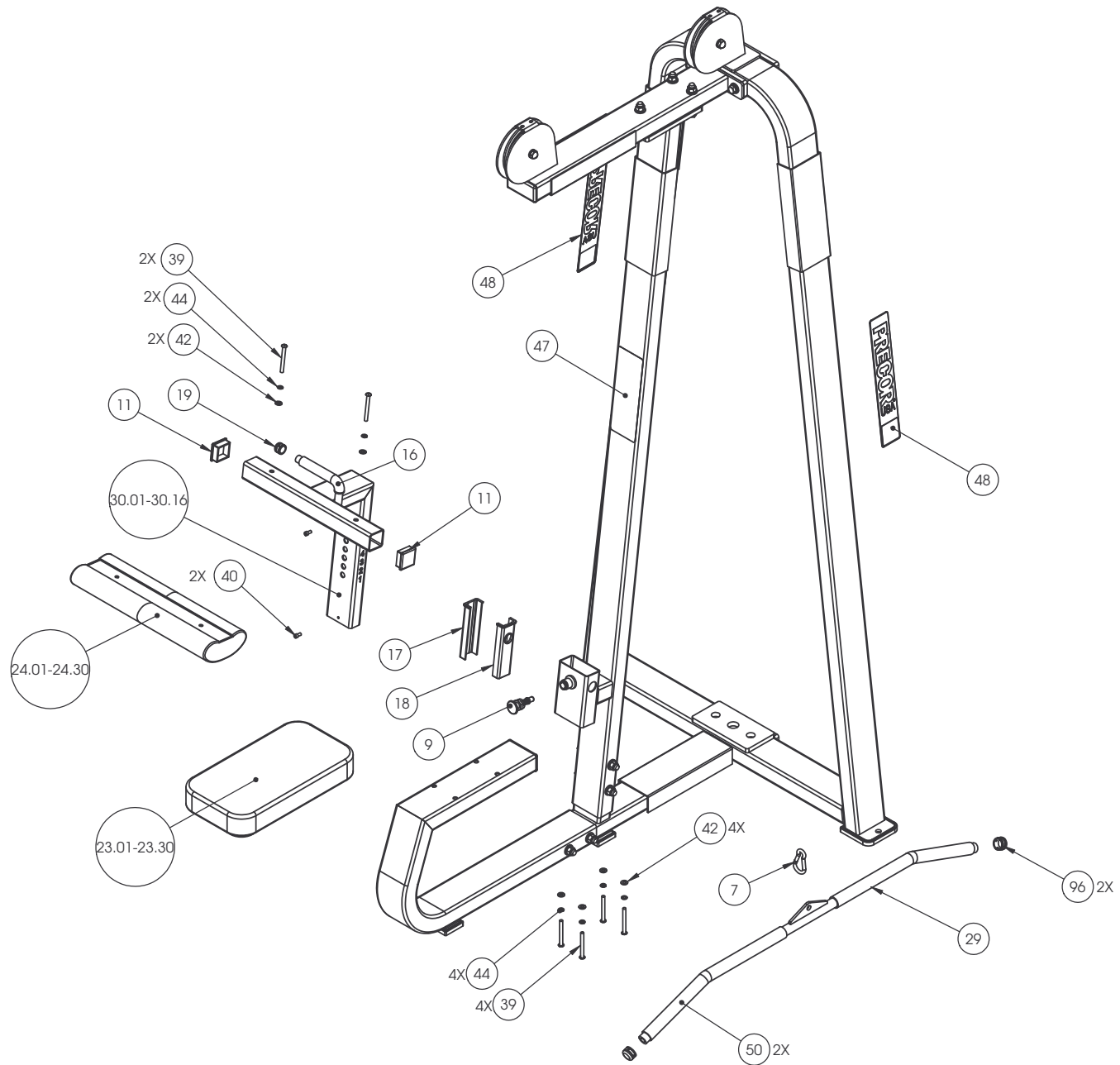


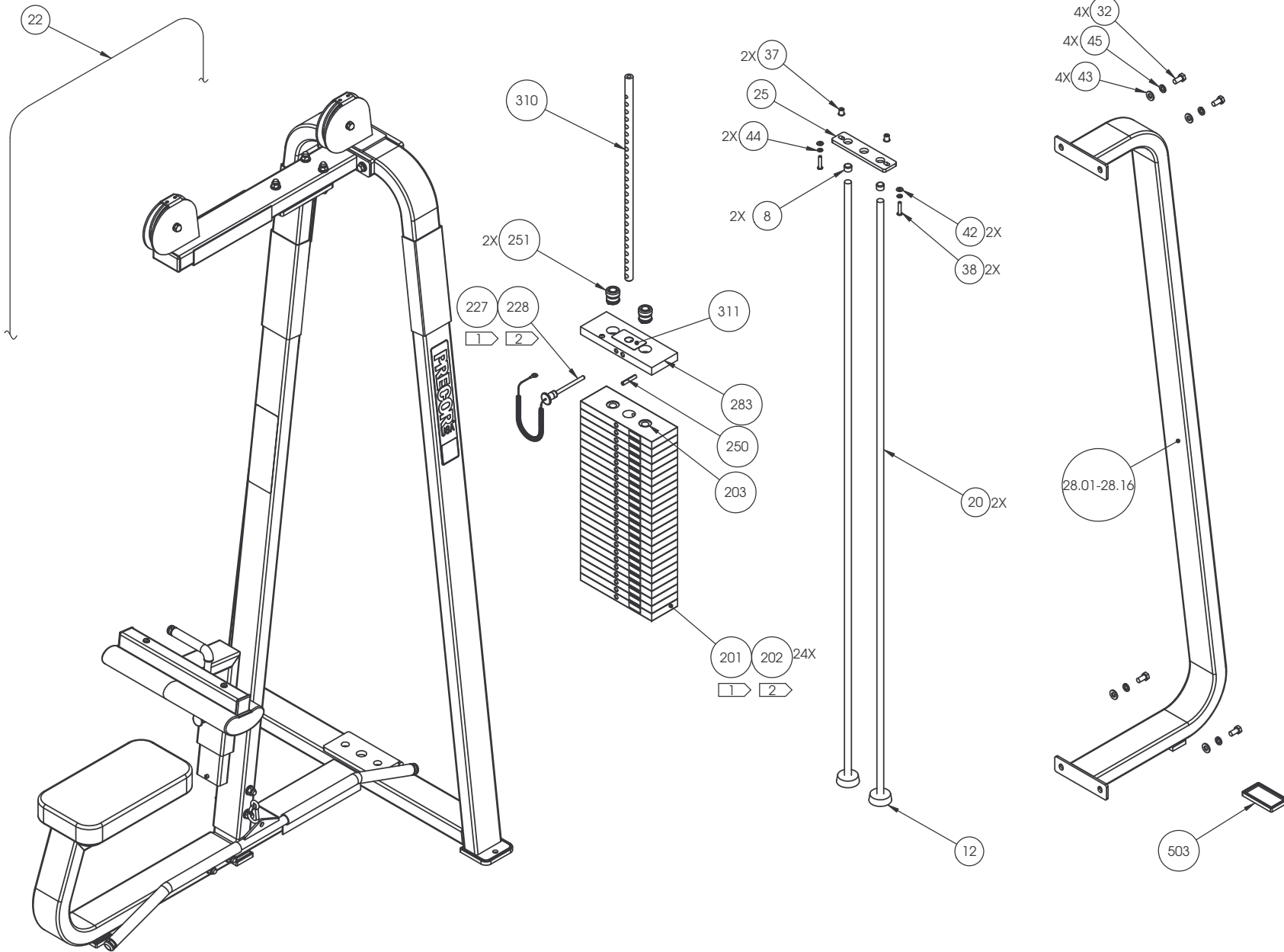
304	P/N : CW30932-101	SUBREV : C01
DRAWN BY : VLE	DATE : 11.28.07	SHEET 1 OF 4



304	P/N : CW30932-101	SUBREV : C01
DRAWN BY : VLE	DATE : 11.28.07	SHEET 2 OF 4



304	P/N : CW30932-101	SUBREV : C01
DRAWN BY : VLE	DATE : 11.28.07	SHEET 3 OF 4



1 FOR UNITS WITH THE 250 LB WEIGHT STACK OPTION.  
 2 FOR UNITS WITH THE 300 LB WEIGHT STACK OPTION.

304	P/N : CW30932-101	SUBREV : C01
DRAWN BY : VLE	DATE : 11.28.07	SHEET 4 OF 4

### 304 Pulldown Single

Part Number	Description	Bubble Number
CW304SA1-211	ASSY,FRAME,MAIN,304,SKY WHITE	1.01
CW304SA1-311	ASSY,FRAME,MAIN,304,STONE HG	1.11
CW304SA1-321	ASSY,FRAME,MAIN,304,TITANIUM HG	1.12
CW304SA2-211	ASSY, TOP BEAM,304,SKY WHITE	2.01
CW304SA2-311	ASSY, TOP BEAM,304,STONE HG	2.11
CW304SA2-321	ASSY, TOP BEAM,304,TITANIUM HG	2.12
CW30030-101	LABEL,INSTRUCTION,304	3
CWAC1001-101	LABEL, "ICARIAN", 1 1/2 X 8 1/8	4
CWAC1002-101	LABEL, "ICARIAN", 3 X 16 3/8	5
CWAC1010-101	PULLEY, 6 DIA X 1/2 ID	6
CW12589-742	CARBINE, HOOK, LARGE, 3/8" DIA, 3 1	7
CW12404-101	CAP, GUIDE ROD,DIA 3/4, BLK	8
CW30165-752	ASSY, POP PIN, 0.450 DIA NOSE, BLU	9
CW11311-102	ENDCAP, REC TUBE, 2X4, BLK PLASTIC	10
CW11311-103	ENDCAP, REC TUBE, 2X2, BLK PLASTIC	11
CW12402-101	BUMPER, ID 1.050, BLK RUBBER	12
CW34822-101	LABEL, "ASSEMBLED IN THE USA"	13
CWAC1183-101	LABEL, WARNING, SERIOUS INJURY	15
CWGR4804-500	GRIP, RUBBER, .75" OD HANDLE, 4.50"	16
CW33626-901	GUIDE, THIN, TELESCOPING TUBE	17
CW33626-902	GUIDE, THCK, TELESCOPING TUBE	18
CWPF1218-711	GUIDE ROD,DIA 3/4 X (80 3/4),#8,CHM	20
CW33508-101	ASSY, CUT PIECE, ABS CHANNEL,1/8 X	21
CWCLGY101-125	ASSY, CABLE, MARINE EYES, 304SM	22
CWPD1141J-101	PAD,4X19,2HOLES,W/BP,BLACK, W/SLIP	24.01
CWPF1016-732	BAR,,FLAT CR/HR, 3/8 X 2 X 8 1/4, 3	25
CWSA10382-311	ASSY,PULLDOWN UPRIGHT	26
CWSA10382-211	ASSY,PULLDOWN UPRIGHT, SKY WHITE	26.01
CWSA10382-221	ASSY,PULLDOWN UPRIGHT, BLACK	26.02
CWSA10382-231	ASSY,PULLDOWN UPRIGHT, RED	26.03
CWSA10382-241	ASSY,PULLDOWN UPRIGHT, PLATINUM SPR	26.04
CWSA10382-251	ASSY,PULLDOWN UPRIGHT, SILVER	26.05
CWSA10382-261	ASSY,PULLDOWN UPRIGHT, BLUE	26.06
CWSA10382-271	ASSY,PULLDOWN UPRIGHT, CHARCOAL	26.07
CWSA10382-281	ASSY,PULLDOWN UPRIGHT, CATHEDRAL GR	26.08
CWSA10382-291	ASSY,PULLDOWN UPRIGHT, SILVER VIEN	26.09
CWSA10382-321	ASSY,PULLDOWN UPRIGHT, TITANIUM HG	26.12
CWSA10382-331	ASSY,PULLDOWN UPRIGHT, WHITE GLOSS	26.13
CWSA10382-341	ASSY,PULLDOWN UPRIGHT, BLACK ONYX	26.14
CWSA10382-351	ASSY,PULLDOWN UPRIGHT, LIGHT BRONZE	26.15
CWSA10382-361	ASSY,PULLDOWN UPRIGHT, SAPPHIRE BLU	26.16
CWSA10452-311	ASSY,PULLDOWN SEAT	27
CWSA10452-211	ASSY,PULLDOWN SEAT, SKY WHITE	27.01
CWSA10452-221	ASSY,PULLDOWN SEAT, BLACK	27.02
CWSA10452-231	ASSY,PULLDOWN SEAT, RED	27.03
CWSA10452-241	ASSY,PULLDOWN SEAT, PLATINUM SPRKL	27.04
CWSA10452-251	ASSY,PULLDOWN SEAT, SILVER	27.05
CWSA10452-261	ASSY,PULLDOWN SEAT, BLUE	27.06

CWSA10452-271	ASSY,PULLDOWN SEAT, CHARCOAL	27.07
CWSA10452-281	ASSY,PULLDOWN SEAT, CATHEDRAL GREY	27.08
CWSA10452-291	ASSY,PULLDOWN SEAT, SILVER VIEN	27.09
CWSA10452-321	ASSY,PULLDOWN SEAT, TITANIUM HG	27.12
CWSA10452-331	ASSY,PULLDOWN SEAT, WHITE GLOSS	27.13
CWSA10452-341	ASSY,PULLDOWN SEAT, BLACK ONYX	27.14
CWSA10452-351	ASSY,PULLDOWN SEAT, LIGHT BRONZE	27.15
CWSA10452-361	ASSY,PULLDOWN SEAT, SAPPHIRE BLUE	27.16
CWSA10781-211	ASSY,FLANGED "C" FRAME,W/O BRKTS, S	28.01
CWSA10781-221	ASSY,FLANGED "C" FRAME,W/O BRKTS, B	28.02
CWSA10781-231	ASSY,FLANGED "C" FRAME,W/O BRKTS, R	28.03
CWSA10781-241	ASSY,FLANGED "C" FRAME,W/O BRKTS, P	28.04
CWSA10781-251	ASSY,FLANGED "C" FRAME,W/O BRKTS, S	28.05
CWSA10781-261	ASSY,FLANGED "C" FRAME,W/O BRKTS, B	28.06
CWSA10781-271	ASSY,FLANGED "C" FRAME,W/O BRKTS, C	28.07
CWSA10781-281	ASSY,FLANGED "C" FRAME,W/O BRKTS, C	28.08
CWSA10781-291	ASSY,FLANGED "C" FRAME,W/O BRKTS, S	28.09
CWSA10781-321	ASSY,FLANGED "C" FRAME,W/O BRKTS, T	28.12
CWSA10781-331	ASSY,FLANGED "C" FRAME,W/O BRKTS, W	28.13
CWSA10781-341	ASSY,FLANGED "C" FRAME,W/O BRKTS, B	28.14
CWSA10781-351	ASSY,FLANGED "C" FRAME,W/O BRKTS, L	28.15
CWSA10781-361	ASSY,FLANGED "C" FRAME,W/O BRKTS, S	28.16
<b>CWSA1081-731</b>	ASSY,LAT BAR,BLK ZNC	29
CWSA3020-211	ASSY,THIGH PAD ADJUSTER, SKY WHITE	30.01
CWSA3020-221	ASSY,THIGH PAD ADJUSTER, BLACK	30.02
CWSA3020-231	ASSY,THIGH PAD ADJUSTER, RED	30.03
CWSA3020-241	ASSY,THIGH PAD ADJUSTER, PLATINUM S	30.04
CWSA3020-251	ASSY,THIGH PAD ADJUSTER, SILVER	30.05
CWSA3020-261	ASSY,THIGH PAD ADJUSTER, BLUE	30.06
CWSA3020-271	ASSY,THIGH PAD ADJUSTER, CHARCOAL	30.07
CWSA3020-281	ASSY,THIGH PAD ADJUSTER, CATHEDRAL	30.08
CWSA3020-291	ASSY,THIGH PAD ADJUSTER, SILVER VIE	30.09
CWSA3020-321	ASSY,THIGH PAD ADJUSTER, TITANIUM H	30.12
CWSA3020-331	ASSY,THIGH PAD ADJUSTER, WHITE GLOS	30.13
CWSA3020-341	ASSY,THIGH PAD ADJUSTER, BLACK ONYX	30.14
CWSA3020-351	ASSY,THIGH PAD ADJUSTER, LIGHT BRON	30.15
CWSA3020-361	ASSY,THIGH PAD ADJUSTER, SAPPHIRE B	30.16
CWHCYN050-100	SCREW,HEX HEAD,BLK XYLAN,1/2-13 X 1	32
<b>CWHCYN050-350</b>	SCREW, HEX HEAD, BLK XYLAN, 1/2-13	33
CWHCYN050-500	SCREW, HEX HEAD, BLK XYLAN, 1/2-13	34
<b>CWKDYN050-059</b>	LOCKNUT, NYLON INSERT, FULL, UNC, 1	35
<b>CWKADLN050-081</b>	NUT, ACORN, 1/2-13	36
CW12537-109	NUT,INSERT,THIN-NUT,LARGE FLANGE	37
<b>CWTAYN031-150</b>	SCREW, BUTTON HEAD, BLK XYLAN, 5/16	38
<b>CWTAYN031-300</b>	SCREW, BUTTON HEAD, BLK XYLAN, 5/16	39
<b>CWBFNN050-250</b>	STUD, 1/2-13 X 2 1/2	41
<b>CWWBKN031-007</b>	WASHER, FLAT, TYPE A, SAE, 5/16 ID	42
<b>CWWBKN050-010</b>	WASHER, FLAT, TYPE A, SAE, 1/2 ID X	43
<b>CWCAYN025-050</b>	SCREW, SOCKET HEAD, BLK XYLAN, 1/4	44
<b>CWWALYN031-008</b>	WASHER, SPLIT, 5/16 ID, BL	44
<b>CWWALYN050-013</b>	WASHER, SPLIT, 1/2 ID, BLK XYLAN	45

CW30010-102	LABEL,WARNING STRENGTH	46
CW30030-101	LABEL,INSTRUCTION,304	47
CW31756-101	LABEL, PRECOR USA ICARIAN LINE	48
CWGR4620-000	GRIP, RUBBER, 1.00" OD HANDLE, 20.0	50
CWAC220-901	HANDLE END CAP W/SET SCREWS, DIA 3/	57
CWAC218-901	HANDLE END CAP W/SET SCREWS, DIA 1"	96
CW10510-721	ASSY, PLATE, WEIGHT, 10 LBS, WRKL B	201
CW10510-721	ASSY, PLATE, WEIGHT, 10 LBS, WRKL B	202
CW10520-721	ASSY, PLATE, WEIGHT, 20 LBS, WRKL B	202
CWAC1133-101	BUSHING, WEIGHT PLATE, LDPE PLASTIC	203
CW33870-102	ASSEMBLY, 5" WEIGHT STACK PIN & LEA	227
CW33870-102	ASSEMBLY, 5" WEIGHT STACK PIN & LEA	228
CWLDNN038-200	SLOTTED PIN SPRING, DIA 3/8 X 2	250
CW10519-721	PLATE, WEIGHT, 20 LBS, WRKL BLK	279
CW32560-101	ASSY, PLATE, WEIGHT, MED TOP (MTP-S	299
CW30133-711	SELECTOR STEM, 25 PLATE,0.875 DIA,	310
CW33268-101	LABELS,WEIGHT STACK,250 LBS,20-250	399
CW33274-101	LABELS,WEIGHT STACK,300 LBS,20-300	399
CW12537-109	NUT,INSERT,THIN-NUT,LARGE FLANGE	400
CWKAYN031-025	NUT,NYLOCK,HALF,5/16-18,BX	402
CWPF2309-721	BAR, FLAT 3/16 X 1 X (30 3/4), 4 BE	403
CWPF3143-211	SHROUD,SHEET,STEEL,4 BENDS, SKY WHI	404.01
CWPF3143-221	SHROUD,SHEET,STEEL,3/32 THICK,4 BEN	404.02
CWPF3143-231	SHROUD,SHEET,STEEL,3/32 THICK,4 BEN	404.03
CWPF3143-241	SHROUD,SHEET,STEEL,3/32 THICK,4 BEN	404.04
CWPF3143-251	SHROUD,SHEET,STEEL,3/32 THICK,4 BEN	404.05
CWPF3143-261	SHROUD,SHEET,STEEL,3/32 THICK,4 BEN	404.06
CWPF3143-271	SHROUD,SHEET,STEEL,3/32 THICK,4 BEN	404.07
CWPF3143-281	SHROUD,SHEET,STEEL,3/32 THICK,4 BEN	404.08
CWPF3143-291	SHROUD,SHEET,STEEL,3/32 THICK,4 BEN	404.09
CWPF3143-311	SHROUD,SHEET,STEEL,3/32 THICK,4 BEN	404.11
CWPF3143-321	SHROUD,SHEET,STEEL,4 BENDS, TITANIU	404.12
CWPF3143-331	SHROUD,SHEET,STEEL,3/32 THICK,4 BEN	404.13
CWPF3143-341	SHROUD,SHEET,STEEL,3/32 THICK,4 BEN	404.14
CWPF3143-351	SHROUD,SHEET,STEEL,3/32 THICK,4 BEN	404.15
CWPF3143-361	SHROUD,SHEET,STEEL,3/32 THICK,4 BEN	404.16
CWPF3143-711	SHROUD,SHEET,STEEL,3/32 THICK,4 BEN	404.17
CWPF3144-721	SHROUD BRKT,PLATE,STEEL,1/8 THICK,1	405
CWTAYN031-100	SCREW, BUTTON HEAD, BLK XYLAN, 5/16	406
CWWALYN031-008	WASHER, SPLIT, 5/16 ID, BL	407
CWWBKN031-007	WASHER, FLAT, TYPE A, SAE, 5/16 ID	408
CWAC1177-101	FLOOR PROTECTOR, RUBBER, 4.563 X 4.	501
CWAC1178-101	FLOOR PROTECTOR, RUBBER, 2.563 X 6.	502
CWAC1180-101	FLOOR PROTECTOR, RUBBER, 2.563 X 4.	503